



Need customer support?

Call 855.454.3732

MAPVAC - 4500

VACUUM GAS FLUSHING
SHUTTLE SEALER



Our versatile floor model vacuum gas flush shuttle heat seal machine offers MAP and skin seal capabilities. This machine- comes with easily interchangeable tooling and a built-in die cutter that automatically trims film to your container's perimeter for an attractive presentation. The machine is extremely versatile as it can be set to either gas flush, vacuum gas flush, or skin seal packaging modes of operation. These programmable features and technology interact to substantially increase the shelf life of your product and ensure packaging meets your high standards.



EFFICIENT

- Automatic shuttle and seal features
- 5 minute warm up time
- Fast and simple tooling changeover



VERSATILE

- Easy-to-move lockable trolley design
- Quick change tooling design allows for one machine to seal various-sized containers
- German-made Bush pump can perform Vacuum, MAP, and Skin packing
- Suitable for many materials (PE, PP, paper, and die cut-able film).
- Custom pockets and dies available
- Adjustable heat settings, dwell time, vacuum settings, & gas insertion
- Registered print capability



SAFE

- Automatic & Emergency Shut Offs to Prevent Injury
- Multiple impact-resistant acrylic panels guard pinch points
- Both hands required to activate shuttle for safety



QUALITY

- Rigid structure made from stainless steel and corrosion-resistant aluminum, ensure the highest standard
- Consistent, Leak-Proof, Wrinkle-Free Seals
- 7" Color touch screen display with Delta PLC control system provides a user-friendly interface
- Digitally controlled vacuum and gas flushing
- Low maintenance
- MAP (Gas Flushing): seal with N2, CO2, O2, etc. to keep food fresh
- Die cuts to perimeter of container for attractive shelf presentation

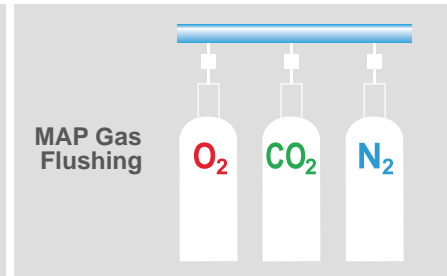


MAPVAC - 4500

Need customer support?

Call 855.454.3732

VACUUM GAS FLUSHING
SHUTTLE SEALER



MACHINE DIMENSIONS

MAPVAC-4500: 29"X 41"X 69"H

MACHINE WEIGHT

1100 lbs

MAX SIZE TRAY DIMENSIONS

15"X 11"

MAX OUTPUT CAPABILITY

1-up: 240 pcs/hour
(skin seal 180 pcs/hour)

2-up: 480 pcs/hour
(skin seal 360 pcs/hour)

4-up: 960 pcs/hour
(skin seal 720 pcs/hour)

ELECTRICAL REQUIREMENTS

220 Volt, 3 Phase

POWER CONSUMPTION

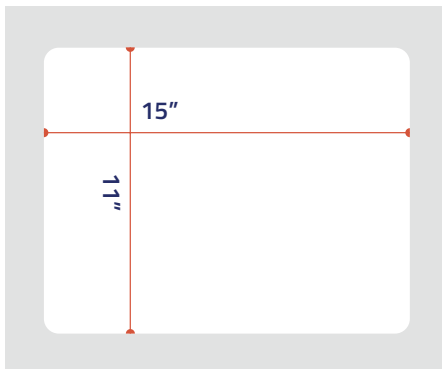
10amps

OXYGEN RESIDUAL CAPABILITY

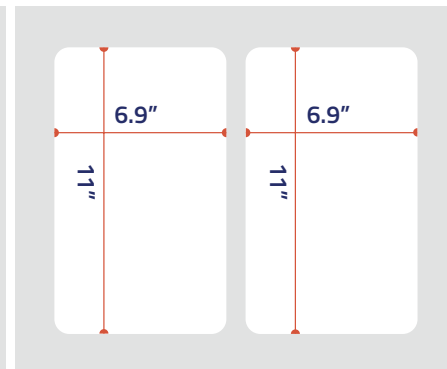
0.5%-2% on solid product

INERT GASES

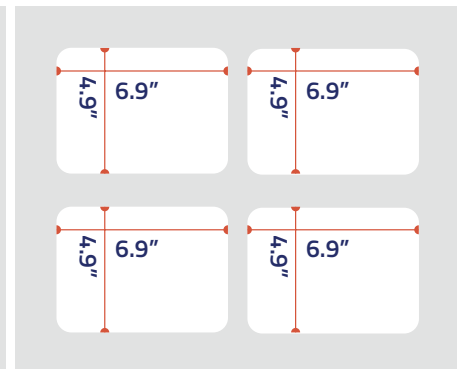
Nitrogen, Carbon Dioxide, Noble Gases



FOR ONE TRAY



FOR TWO TRAYS



FOR FOUR TRAYS

855.454.3732

www.140packaging.com

sales@140packaging.com